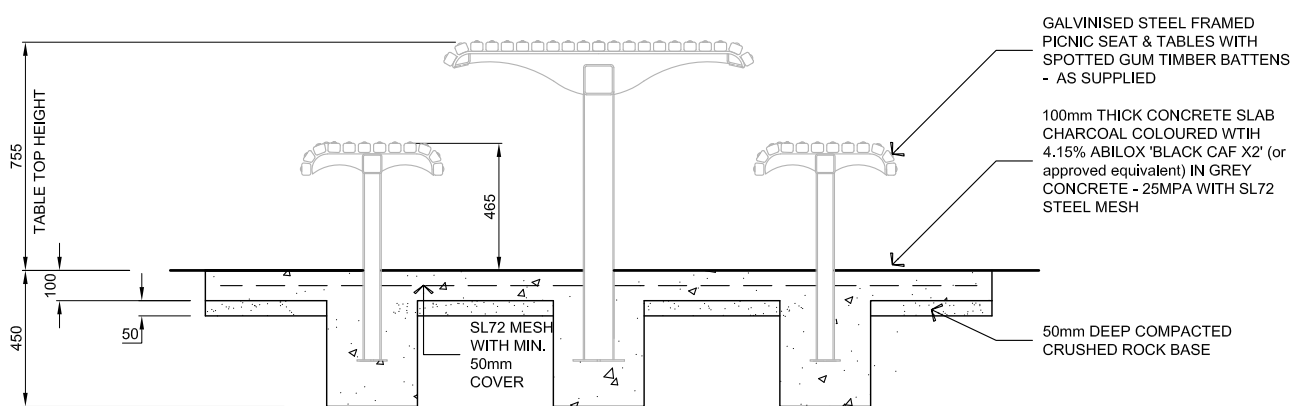


PLAN



SECTION

NOTES:
 YARRA PARK SETTING MODIFIED (shown as Draffin, Furphy or Commercial Systems dimensions may vary).
 FURNITURE TYPICALLY GALVANISED STEEL WITH KILN DRIED SPOTTED GUM SLATS.
 PLEASE REFER TO SUPPLIER INSTALLATION NOTES ALONG WITH THIS DRAWING.
 SEAT AND TABLE LEGS TO BE LONGER THAN STANDARD WHEN SET INTO GRANITIC SAND OR ASPHALT PAVING.
 GRADE SLAB TO DRAIN AT 1.5% MIN. WITH EXISTING SURFACE.

Drawing Title:
 Picnic Set - on concrete slab

Scale at A4 N.T.S
 Yarra Standard: YSD 1009

REV	DATE	DRAWN BY
A	01/10/06	
B	04/03/16	KA
C	06/09/18	KA

