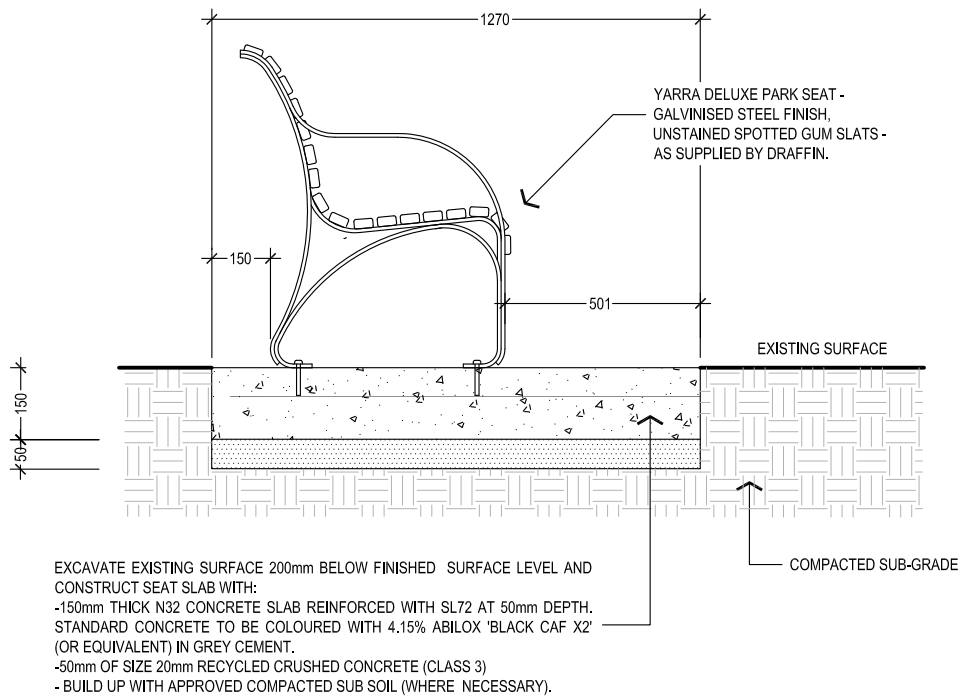
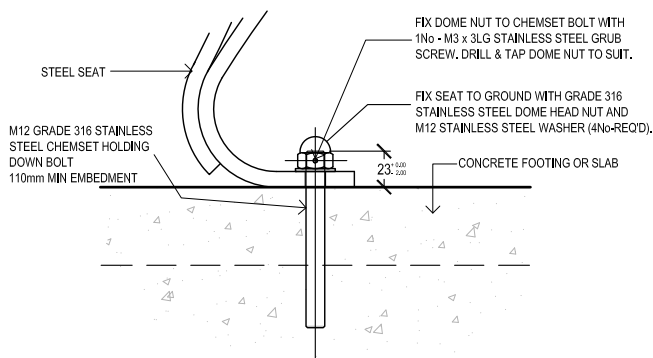


PLAN VIEW



DETAILS



FIXING DETAIL 1:5

NOTES:

Use Brunswick Green powdercoat with stained slat if necessary to match existing suite.  
Consider using recycled plastic slats if suitable.

Drawing Title:  
Standard Park Seat on concrete slab

Scale at A4 1:20  
Yarra Standard: YSD 1003

REV	DATE	DRAWN BY
A	10/11/11	
B	24/03/16	KA
C	23/10/18	KA

