

Certificate type: titles Matter: maddocks

Copyright State of Victoria. This publication is copyright.
No part may be reproduced by any process except in accordance with
the provisions of the Copyright Act and for the purposes of Section
32 of the Sale of Land Act 1962 or pursuant to a written agreement.
The information is only valid at the time and in the form obtained
from the LANDATA REGD TM System. The State of Victoria accepts no
responsibility for any subsequent release, publication or reproduction
of the information.

REGISTER SEARCH STATEMENT (Title Search) Transfer of Land Act 1958

VOLUME 02378 FOLIO 507

Security no : 124056891604D
Produced 14/09/2015 11:55 am

LAND DESCRIPTION

Lots 1 and 2 on Title Plan 702099B (formerly known as part of Crown Allotment 5
Section 18 CITY OF FITZROY, part of Crown Allotment 6 Section 18 CITY OF
FITZROY Parish of Jika Jika).
PARENT TITLE Volume 01312 Folio 357
Created by instrument 0309776 09/09/1891

REGISTERED PROPRIETOR

Estate Fee Simple
Sole Proprietor
HENRY GEORGE HEATH of NO 251 MCKEAN STREET NORTH FITZROY
0309776 09/09/1891

ENCUMBRANCES, CAVEATS AND NOTICES

Any encumbrances created by Section 98 Transfer of Land Act 1958 or Section
24 Subdivision Act 1988 and any other encumbrances shown or entered on the
plan set out under DIAGRAM LOCATION below.

DIAGRAM LOCATION

SEE TP702099B FOR FURTHER DETAILS AND BOUNDARIES

ACTIVITY IN THE LAST 125 DAYS

NIL

DOCUMENT END

TITLE PLAN	EDITION 1	TP 702099B
------------	-----------	------------

Location of Land

Parish: CITY OF FITZROY PARISH OF JIKA JIKA
 Township:
 Section: 18
 Crown Allotment: 5 (PT), 6 (PT)
 Crown Portion:

Last Plan Reference:
 Derived From: VOL 2378 FOL 507
 Depth Limitation: NIL

Notations

ANY REFERENCE TO MAP IN THE TEXT MEANS THE DIAGRAM SHOWN ON THIS TITLE PLAN

Description of Land / Easement Information

ENCUMBRANCES REFERRED TO AS TO THE WHOLE LAND
any easements subsisting over or upon or affecting the same

DRAINAGE & CARRIAGEWAY EASEMENT CREATED BY C/E 426661

THIS PLAN HAS BEEN PREPARED FOR THE LAND REGISTRY, LAND VICTORIA, FOR TITLE DIAGRAM PURPOSES AS PART OF THE LAND TITLES AUTOMATION PROJECT

COMPILED: 27/11/2000
 VERIFIED: C L

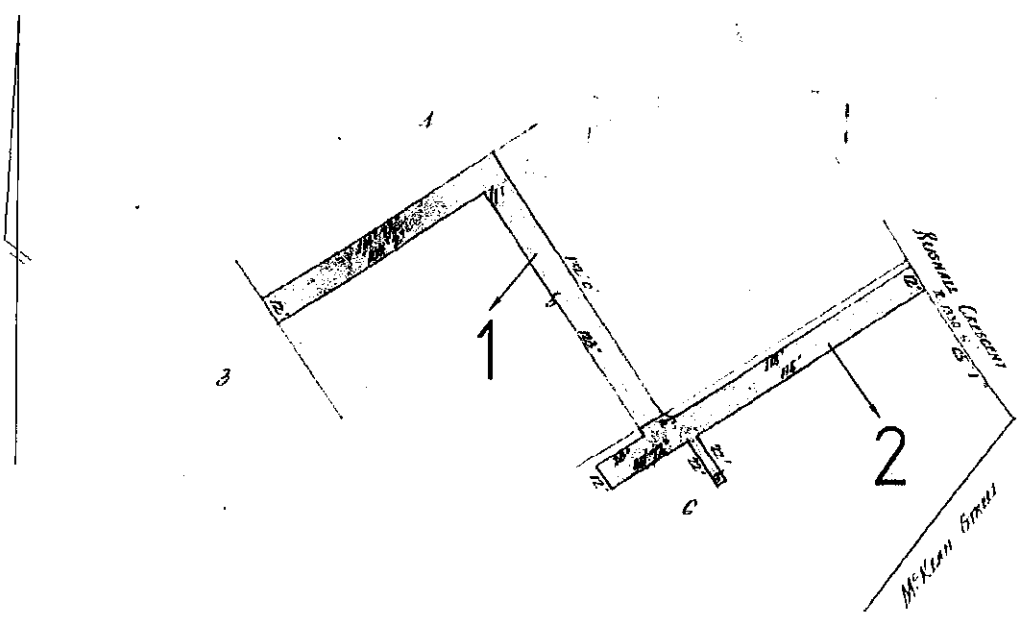


TABLE OF PARCEL IDENTIFIERS	
WARNING Where multiple parcels are referred to or shown on this Title Plan this does not imply separately disposable parcels under Section 8A of the Sale of Land Act 1962	
PARCEL 1 = CA 5 (PT)	
PARCEL 2 = CA 6 (PT)	