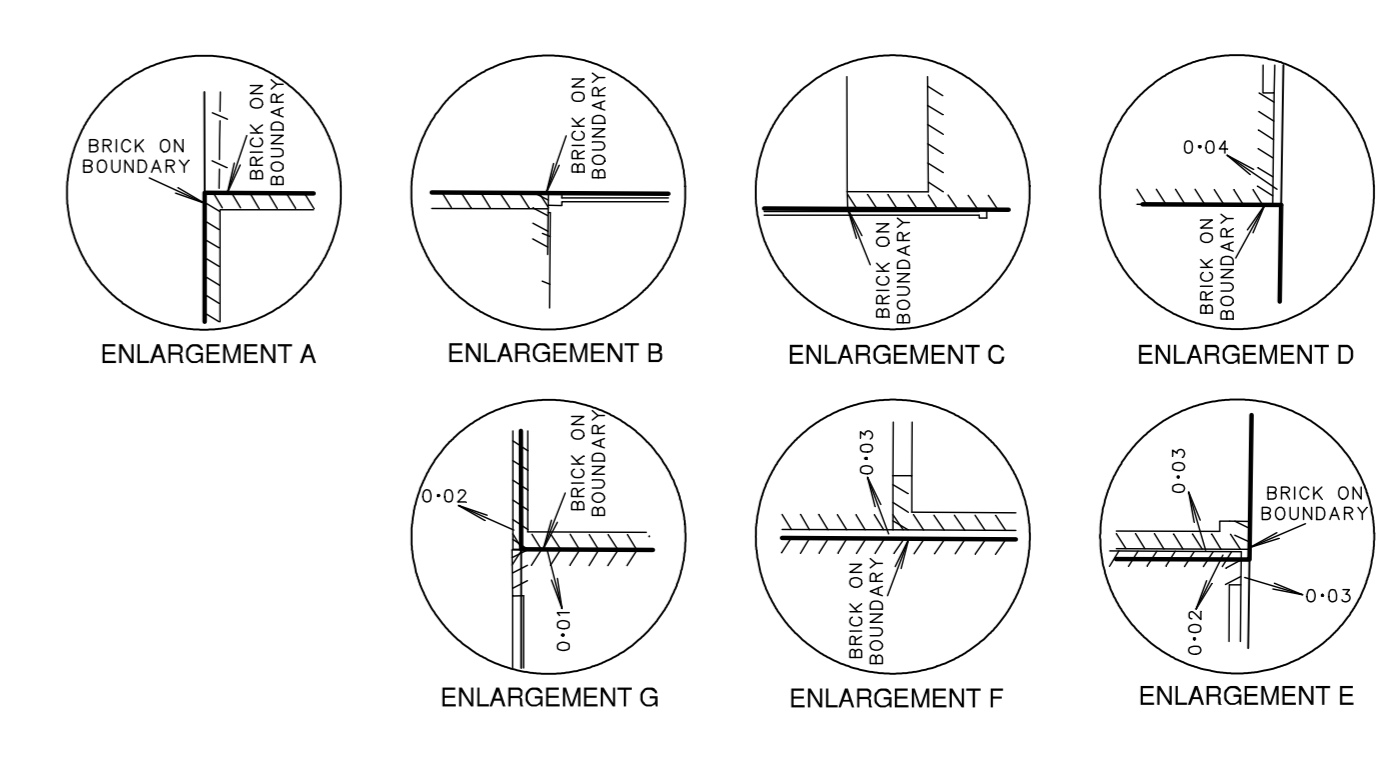
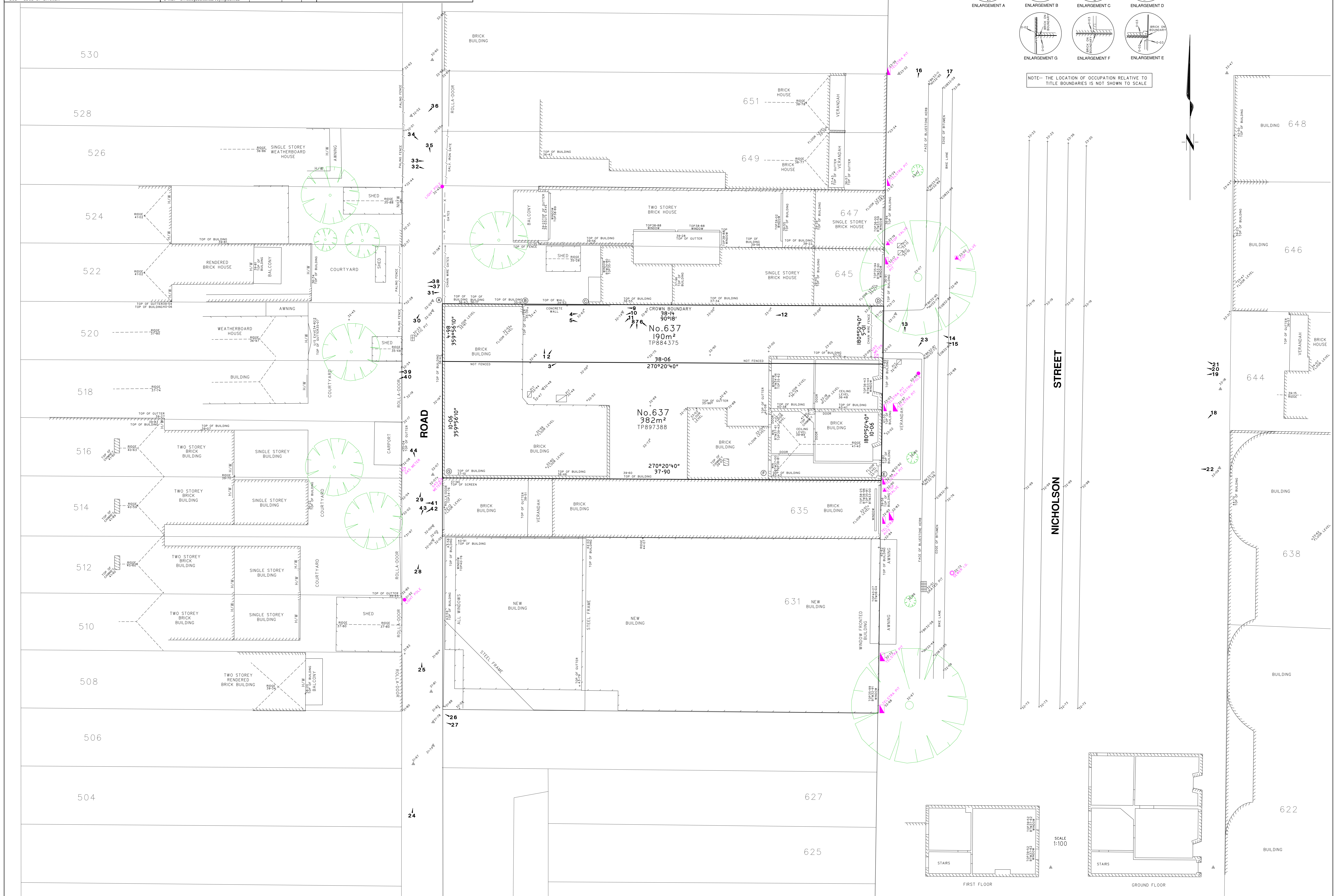
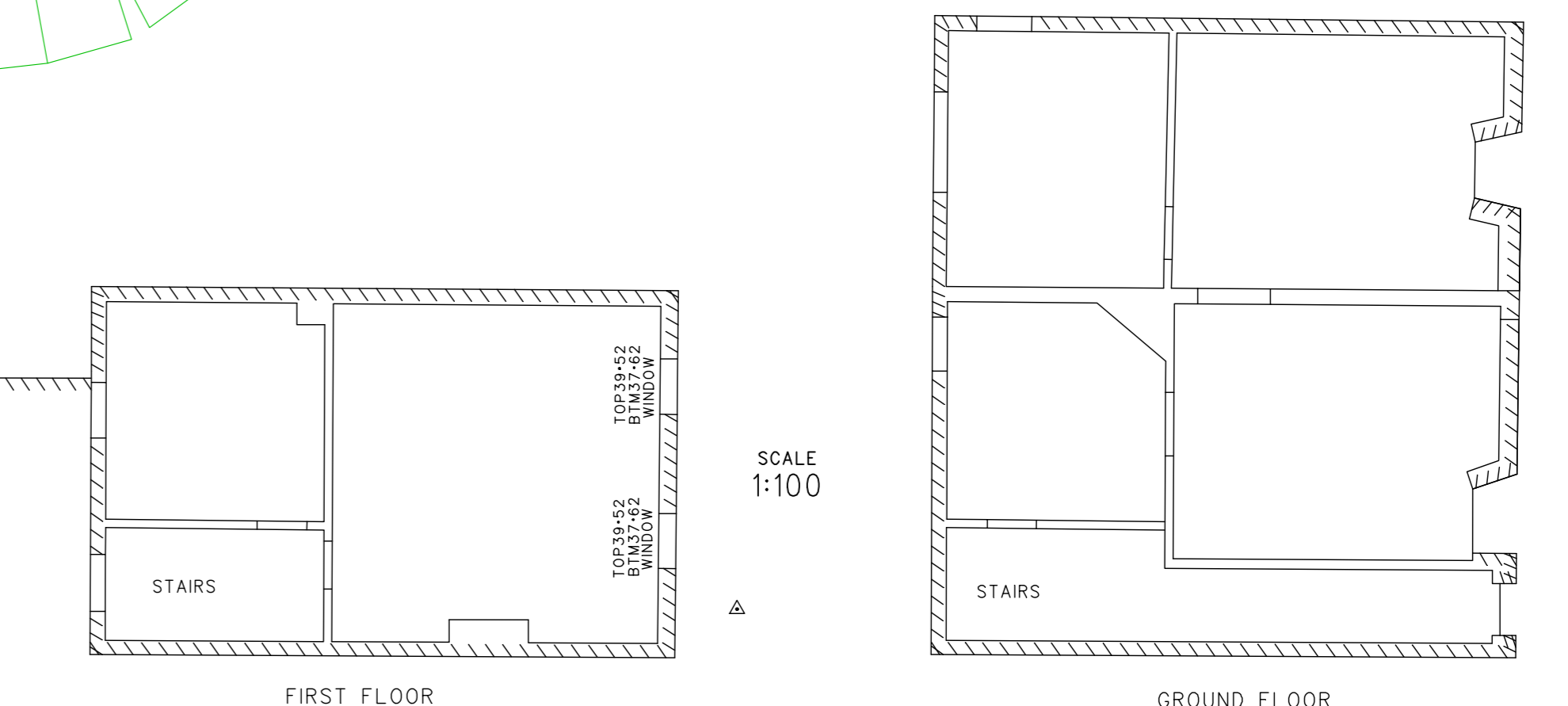
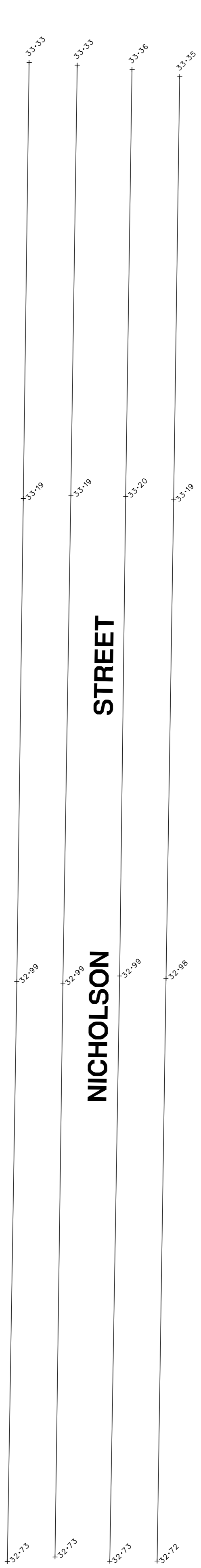


LEGEND		NOTATIONS		SURVEY AND FEATURE PLAN	
△ - SURVEY CONTROL POINT	■ - GRATED PIT	LEVELS ARE TO AUSTRALIAN HEIGHT DATUM (AHD)		<b>637 NICHOLSON STREET CARLTON NORTH</b>	
TBM - TEMPORARY BENCH MARK	SEP - SIDE ENTRY PIT	LENGTHS ARE IN METRES			
PSM - PERMANENT SURVEY MARK	JP - JUNCTION PIT	DATE OF THIS PLAN 1-25/10/2018			
BCK - BACK OF CONCRETE KERB	CV - GAS VALVE	UPDATED 1-14/01/2019			
INV - INVERT OF KERB	WIN - WINDOW	GOODISON SURVEYING	REFERENCE No. <b>16202</b>	SCALE 1:100	SHEET 32 OF A0
FKM - FACE OF BLUESTONE KERB	BTM - BOTTOM OF WINDOW	LICENSED SURVEYORS LEVEL 1 424 BRIDGE ROAD RICHMOND 3121 TEL 9428 1818 E-mail: office@goodisonsurveying.com.au			
FCX - FACE OF CONCRETE KERB	TOP - TOP OF WINDOW				
EGB - EDGE OF BITUMEN					



NOTE:- THE LOCATION OF OCCUPATION RELATIVE TO TITLE BOUNDARIES IS NOT SHOWN TO SCALE



21  
19  
18  
22

