

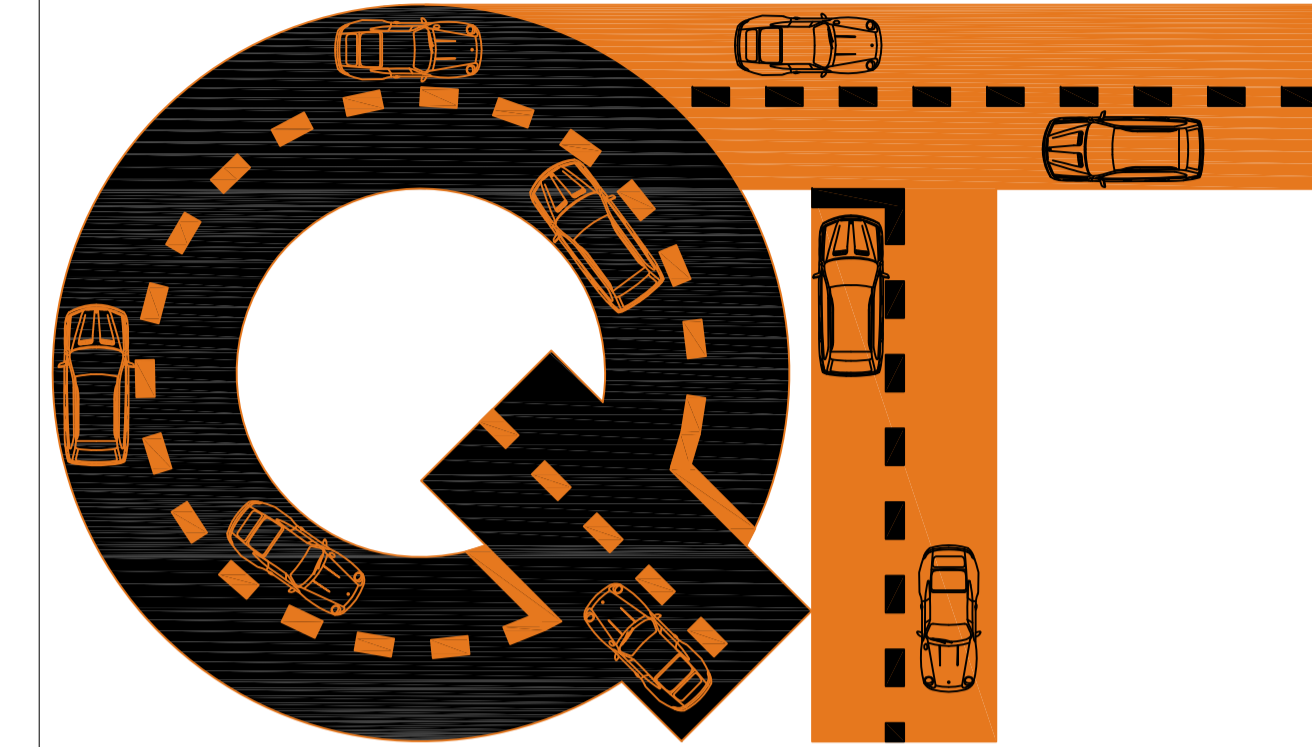
WASTE COLLECTION VEHICLE TURN AROUND

Address: 205-211 Queens Pde, Fitzroy Nth Development Type: Residential

LGA: Yarra

Ref: 16-0016

Assessment: Critical Swept Paths



Quantum Traffic

e: davidbeaton@quantumtraffic.com.au

p: 0438 365 681

w: www.quantumtraffic.com.au

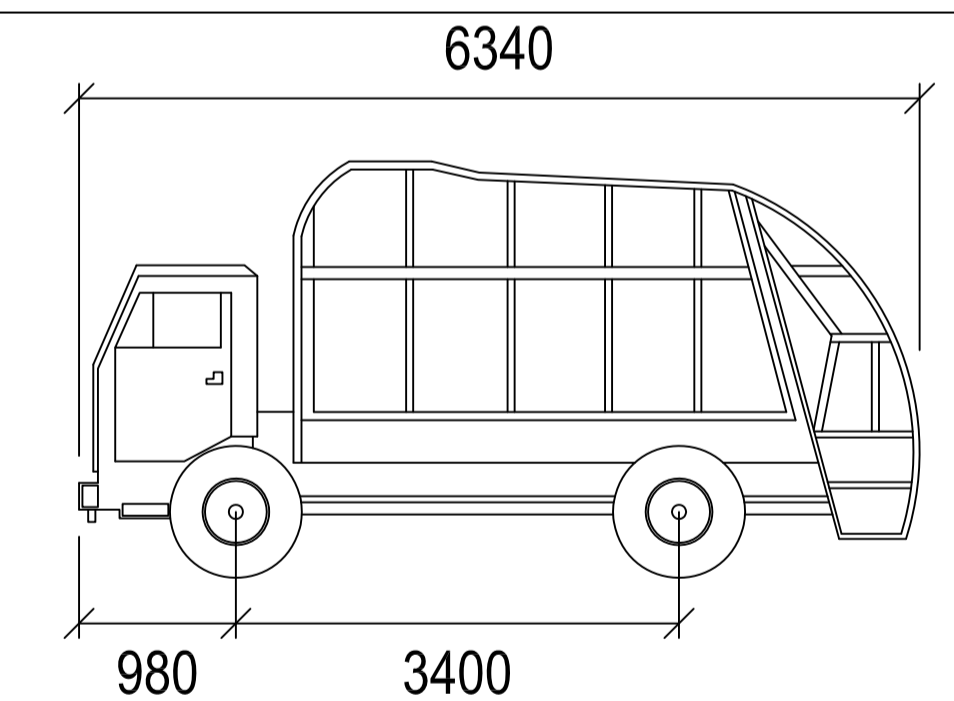
a: Suite 1, 708A Doncaster Rd
DONCASTER VIC 3108

Notes:

Scale: 1:100 @ A3

Melway Ref.: 44E1

Design Vehicle Used in Simulation



6.4m Long Mini Rear Loader

Width	: 1700 mm
Track	: 1600 mm
Lock to Lock Time	: 6.0 sec
Steering Angle	: 33.3 degrees
Speed	: 5 km/h

Legend

Date: 02/02/17

Vehicle Body	— (orange line)
Wheel Tracks	— (green line)
Clearance Lines (300mm)	— (red line)

