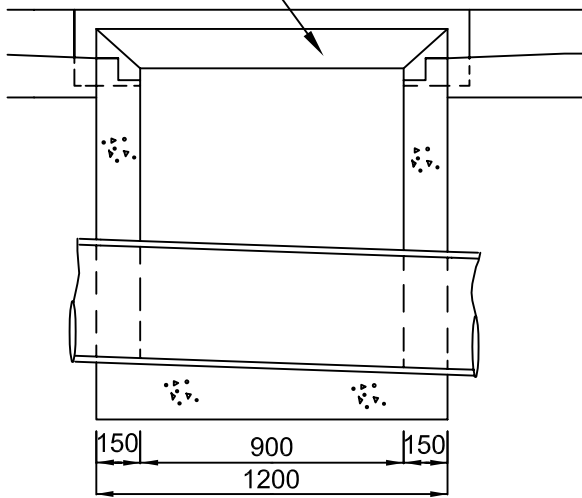
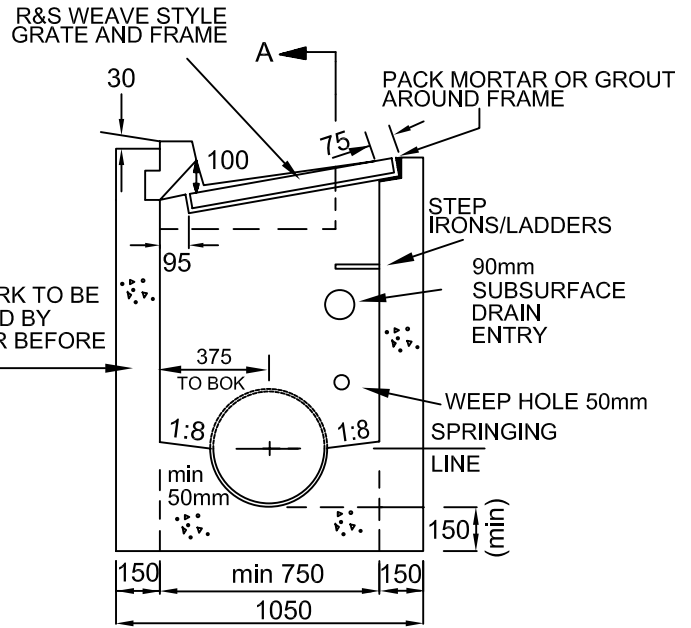


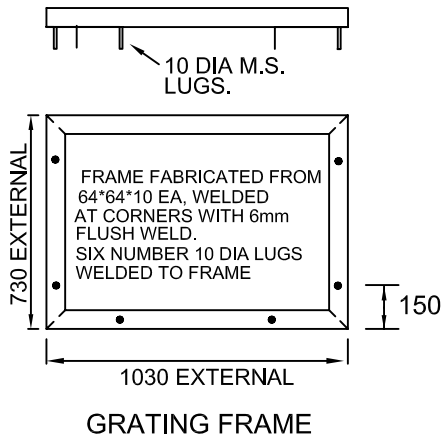
SHERBROOKE PRECAST R.C. LINTEL  
(SVC CODE :- 15.375)  
OR CHARCOAL COLOUR FITZROY  
LINTEL FOR 300 KERB STONES  
(SVC CODE: 15.242)



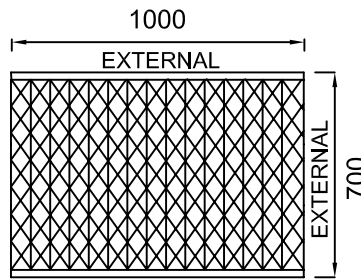
SECTION A-A



SECTION B-B



GRATING FRAME

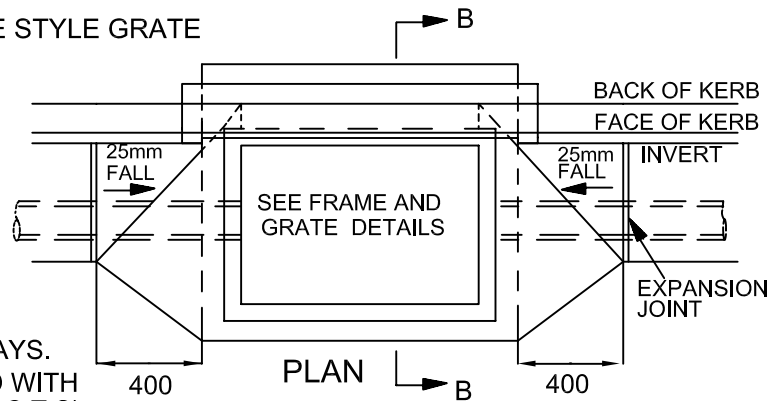


WEAVE STYLE GRATE

**CLASS "D" LOAD RATING GRATE**

**MATERIAL**

- \* Straight bars 50\*12 bars Qty 17
- \* Weave bars 40\*10 bars Qty 16
- \* End bars 50\*25 bars Qty 2



PLAN

**GENERAL NOTES**

1. ALL CONCRETE SHALL BE F'c 25Mpa AT 28 DAYS.
2. PITS DEEPER THAN 750mm SHALL BE FITTED WITH GALVANIZED STEP IRONS ( SPACE @ 300mm C.T.S) REFER TO STD YSD13 FOR FURTHER DETAILS.
3. THE FLOOR OF THE PIT SHALL BE FORMED UP TO AT LEAST THE SPRINGING LINE.
4. CONCRETE TO BE VIBRATED IN PITS TO ENGINEER SATISFACTION.
5. CONCRETE TO BE POURED INTO PITS DIRECTLY OUT OF SUPPLY VEHICLES.
6. BEDDING MATERIAL SHALL BE 100mm COMPACTED THICKNESS OF CLASS 2 C.R.
7. F72 REINFORCEMENT IN WALLS OVER 2m DEEP.
8. GRATE PERPENDICULAR TO KERB AND CHANNEL.
9. ALL LINTELS TO BE CHARCOAL COLOUR.
10. ALL PIT SURROUNDS TO BE CHARCOAL COLOUR.
11. FOR GRATED PIT IN BLUESTONE CHANNEL, NO CONCRETE APRON.

**Yarra Standard: YSD14**  
**Drawing Title:**  
SIDE ENTRY PIT WITH GRATE (G.S.E.P)

Scale at A4 N.T.S  
Updated 29/11/07

