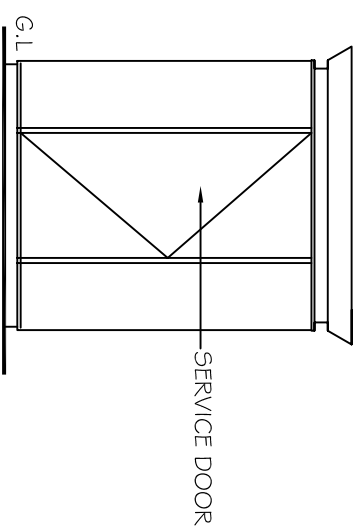


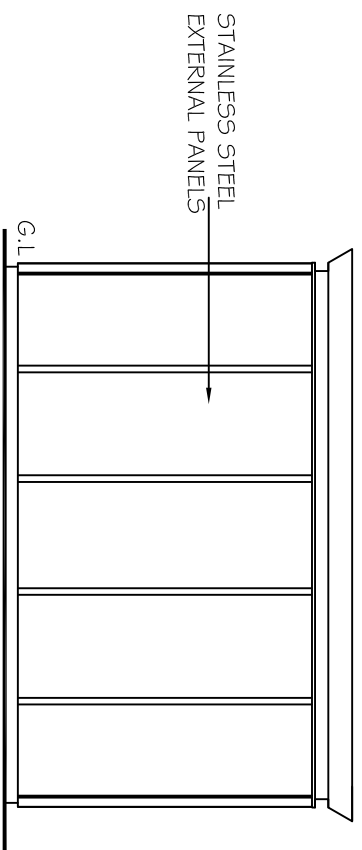
A
01

EXTERNAL ELEVATION



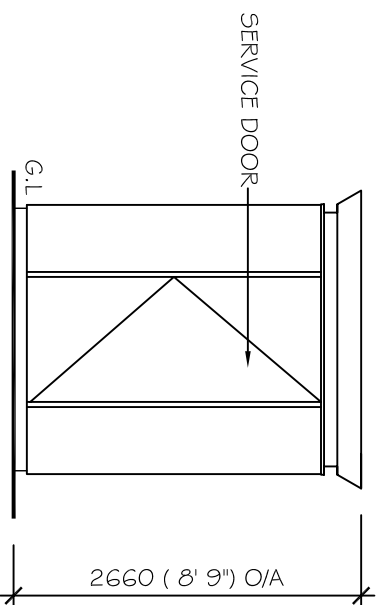
B
01

EXTERNAL ELEVATION



C
01

EXTERNAL ELEVATION



D
01

EXTERNAL ELEVATION

APPROVED
Richard Miles
Exeloo Ltd

NO. BY.	DATE:	REVISION DETAILS.

P.O. Box 33-256 Takapuna
Auckland, New Zealand
Ph. 64 09 838 8912 Fax. 64 09 838 8913
design@exeloo.com

DRAWING TITLE:	ELEVATION GALAXY MODEL 20 WITH SEAT WASH SINGLE APT AS 1428.2
DRAWN BY:	PF
FILE NAME:	Galix_Super_Single Model 20 (SW)

DRAWN DATE:	25-09-08	SHEET NO.:	02
REVISED DATE:	29-09-08	SCALE:	N15
Copyright © 2003 Exeloo Ltd.			